



# FU XIANG CABINETS WAREHOUSE

KITCHEN • BATH • ORGANIZATION

## ASSEMBLY INSTRUCTIONS

### Kitchen Drawer Base Cabinets

(This assembly instruction sheet applies for all our Base Cabinets.)

#### ❖ General Instruction

- Read the instruction carefully before starting the installation.
- Follow all generally accepted safety procedures during assembly.

#### ❖ Parts List: The following items are included in the carton.

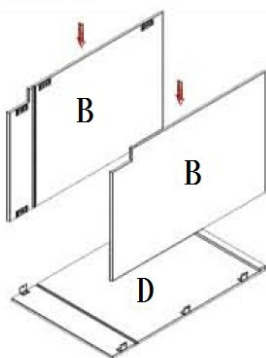
ITEM	DESCRIPTION	Qty.
A	Front Face Frame	1
B	Side Panel (Right & Left)	2
C	Bottom Panel	1
D	Back Panel	1
E	Toe Kick	1
F	Drawer Face	3 (DB15/DB18/DB21/DB24/DB30)
G	Drawer Box	3 (DB15/DB18/DB21/DB24/DB30)
H	Slider (pairs)	3 (DB15/DB18/DB21/DB24/DB30)

**NOTE:** **DRAWER BOX** for MM, AWK, AW and COG are in separate carton  
**DOOR & DRAWER FACE** for BCF and BCR are in separate carton

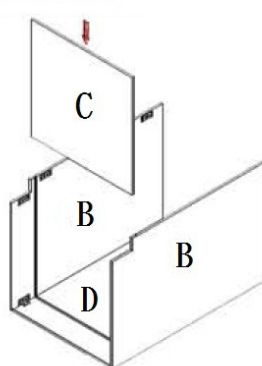
#### ❖ Instruction

- **STEP 1:** Lay (D) flat, grooves facing upward. Insert (B) into metal clips of (D).
- **STEP 2:** Slide (C) into grooves of (B) and (D).
- **STEP 3:** Attach (A) onto (C) and ((B). Attach (E) onto bottom front of (B) using the metal clips.
- **STEP 4:** Place and screw plastic supporter into corners of (A), (B), (D).

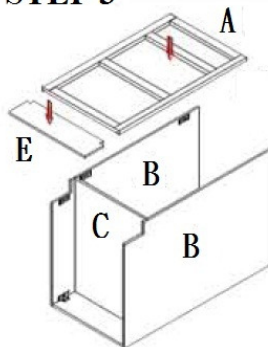
STEP 1



STEP 2



STEP 3



STEP 4



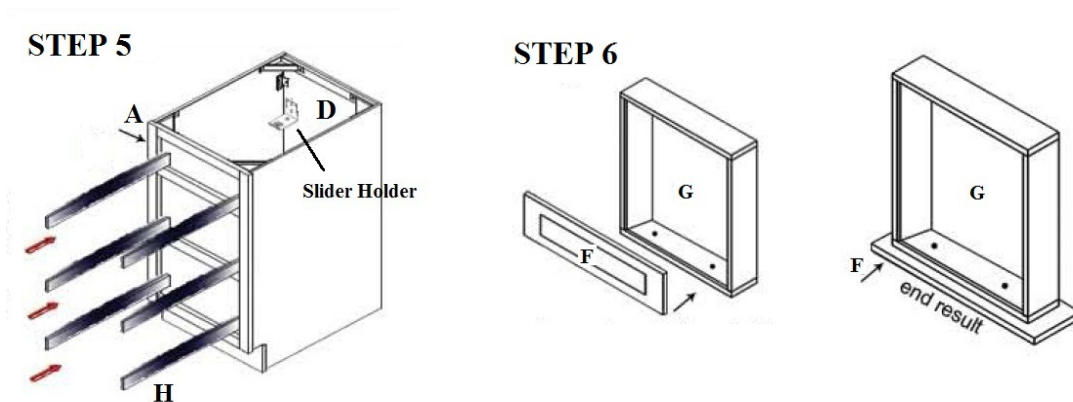


## FU XIANG CABINETS WAREHOUSE

KITCHEN • BATH • ORGANIZATION

- **STEP 5:** Screw both near slider holders into the pre-drilled holes in (D) so that angle faces upward. Install (H) by sliding into slider holders and screwing into side of (A).
- **STEP 6:** Screw the drawer head (F) onto the drawer box (G) through the pre-drilled holes.

MM/AWK/AW/COG Drawer Box has been assembled



**LD/BN/MC/BCR/BCF/BE Drawer** needs to be assembled as follow:

Put Side (a) into Drawer Front (b) with header, align and confirm that all is flush. Then, insert the slid Drawer Bottom (c) into the grooves of the Drawer Sides (a) position Drawer Back (d) as shown in below picture, secure with screws.

